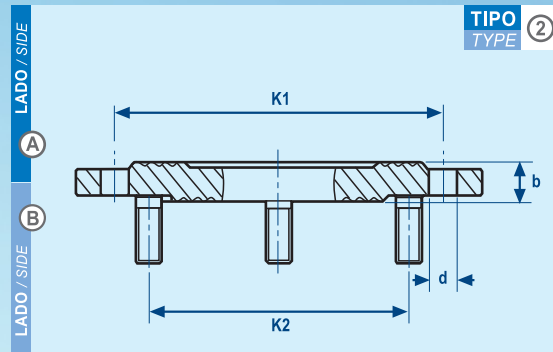
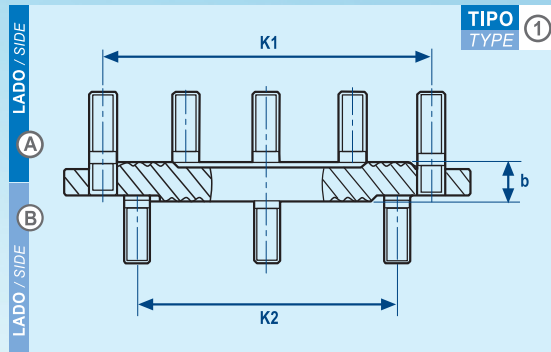


serie
UR-81



PLACA REDUCTORA CON ESPÁRRAGOS

STUDED REDUCER FLANGE



- PN-10 y PN-16 según norma EN 1092-2.
- Fundición nodular GGG-40.
- Revestimiento EPOXI de 250 μ de media.
- Espárragos con recubrimiento GEOMET.

- PN-10 and PN-16 according to EN 1092-2.
- GGG-40 nodular cast iron.
- 250 μ EPOXY coating in average.
- Equipped with GEOMET coated studs.

REF.	DN (LADO ☉) / DN (LADO ☺)		PN (LADO ☉) / PN (LADO ☺)		TIPO TYPE	ESPARRAGO (LADO ☉) / ESPARRAGO (LADO ☺)		b	LADO / SIDE ☉				LADO / SIDE ☺			
	DN (SIDE ☉) / DN (SIDE ☺)	DN (SIDE ☉) / DN (SIDE ☺)	PN (SIDE ☉) / PN (SIDE ☺)	PN (SIDE ☉) / PN (SIDE ☺)		STUD (SIDE ☉) / STUD (SIDE ☺)	STUD (SIDE ☉) / STUD (SIDE ☺)		K1	ROSCA / THREAD	d	K2	ROSCA / THREAD	d	K2	ROSCA / THREAD
UR-81-DN080-DN050	DN 80/50	DN 80/50	10 AND 16	10 AND 16	①	SÍ / YES	SÍ / YES	29	160	8	M16	125	4	M16		
UR-81-DN080-DN065	DN 80/65	DN 80/65	10 AND 16	10 AND 16	①	SÍ / YES	SÍ / YES	29	160	8	M16	145	4	M16		
UR-81-DN080-DN080	DN 80/80	DN 80/80	10 AND 16	10 AND 16	①	SÍ / YES	SÍ / YES	29	160	8	M16	160	4	M16		
UR-81-DN100-DN050	DN 100/50	DN 100/50	10 AND 16	10 AND 16	①	SÍ / YES	SÍ / YES	29	180	8	M16	125	4	M16		
UR-81-DN100-DN065	DN 100/65	DN 100/65	10 AND 16	10 AND 16	①	SÍ / YES	SÍ / YES	29	180	8	M16	145	4	M16		
UR-81-DN100-DN080	DN 100/80	DN 100/80	10 AND 16	10 AND 16	①	SÍ / YES	SÍ / YES	49	180	8	M16	160	8	M16		
UR-81-DN125-DN080	DN 125/80	DN 125/80	10 AND 16	10 AND 16	①	SÍ / YES	SÍ / YES	31	210	8	M16	160	8	M16		
UR-81-DN125-DN100	DN 125/100	DN 125/100	10 AND 16	10 AND 16	①	SÍ / YES	SÍ / YES	49	210	8	M16	180	8	M16		
UR-81-DN150-DN080	DN 150/80	DN 150/80	10 AND 16	10 AND 16	①	SÍ / YES	SÍ / YES	29	240	8	M20	160	8	M16		
UR-81-DN150-DN100	DN 150/100	DN 150/100	10 AND 16	10 AND 16	①	SÍ / YES	SÍ / YES	29	240	8	M20	180	8	M16		
UR-81-DN150-DN125	DN 150/125	DN 150/125	10 AND 16	10 AND 16	①	SÍ / YES	SÍ / YES	48	240	8	M20	210	8	M16		
UR-81-DN200-DN080	DN 200/80	DN 200/80	10 AND 16	10 AND 16	②	NO	SÍ / YES	31	295	8/12		24	160	8	M16	
UR-81-DN200-DN100	DN 200/100	DN 200/100	10 AND 16	10 AND 16	②	NO	SÍ / YES	31	295	8/12		24	180	8	M16	
UR-81-DN200-DN125	DN 200/125	DN 200/125	10 AND 16	10 AND 16	②	NO	SÍ / YES	31	295	8/12		24	210	8	M16	
UR-81-DN200/10-DN150	DN 200/150	DN 200/150	10	10 AND 16	①	SÍ / YES	SÍ / YES	31	295	8	M20	240	8	M20		
UR-81-DN200/16-DN150	DN 200/150	DN 200/150	16	10 AND 16	①	SÍ / YES	SÍ / YES	31	295	12	M20	240	8	M20		
UR-81-DN200/16-DN200/10	DN 200/200	DN 200/200	16	10	①	SÍ / YES	SÍ / YES	53	295	12	M20	295	8	M20		
UR-81-DN250-DN080	DN 250/80	DN 250/80	10 AND 16	10 AND 16	②	NO	SÍ / YES	31	350/355	12		28	160	8	M16	
UR-81-DN250-DN100	DN 250/100	DN 250/100	10 AND 16	10 AND 16	②	NO	SÍ / YES	31	350/355	12		28	180	8	M16	
UR-81-DN250-DN125	DN 250/125	DN 250/125	10 AND 16	10 AND 16	②	NO	SÍ / YES	31	350/355	12		28	210	8	M16	
UR-81-DN250/10-DN150	DN 250/150	DN 250/150	10	10 AND 16	①	SÍ / YES	SÍ / YES	31	350	12	M20	240	8	M20		
UR-81-DN250/16-DN150	DN 250/150	DN 250/150	16	10 AND 16	①	SÍ / YES	SÍ / YES	31	355	12	M24	240	8	M20		
UR-81-DN250/10-DN200/10	DN 250/200	DN 250/200	10	10	①	SÍ / YES	SÍ / YES	31	350	12	M20	295	8	M20		
UR-81-DN250/16-DN200/16	DN 250/200	DN 250/200	16	16	①	SÍ / YES	SÍ / YES	31	355	12	M24	295	12	M20		
UR-81-DN300-DN080	DN 300/80	DN 300/80	10 AND 16	10 AND 16	②	NO	SÍ / YES	31	400/410	12		35	160	8	M16	
UR-81-DN300-DN100	DN 300/100	DN 300/100	10 AND 16	10 AND 16	②	NO	SÍ / YES	31	400/410	12		35	180	8	M16	
UR-81-DN300-DN150	DN 300/150	DN 300/150	10 AND 16	10 AND 16	②	NO	SÍ / YES	31	400/410	12		35	240	8	M20	
UR-81-DN300/10-DN200/10	DN 300/200	DN 300/200	10	10	①	SÍ / YES	SÍ / YES	31	400	12	M20	295	8	M20		
UR-81-DN300/16-DN200/16	DN 300/200	DN 300/200	16	16	①	SÍ / YES	SÍ / YES	31	410	12	M24	295	12	M20		
UR-81-DN300/10-DN250/10	DN 300/250	DN 300/250	10	10	①	SÍ / YES	SÍ / YES	31	400	12	M20	350	12	M20		
UR-81-DN300/16-DN250/16	DN 300/250	DN 300/250	16	16	①	SÍ / YES	SÍ / YES	31	410	12	M24	355	12	M24		

UR-cast
Water Fittings